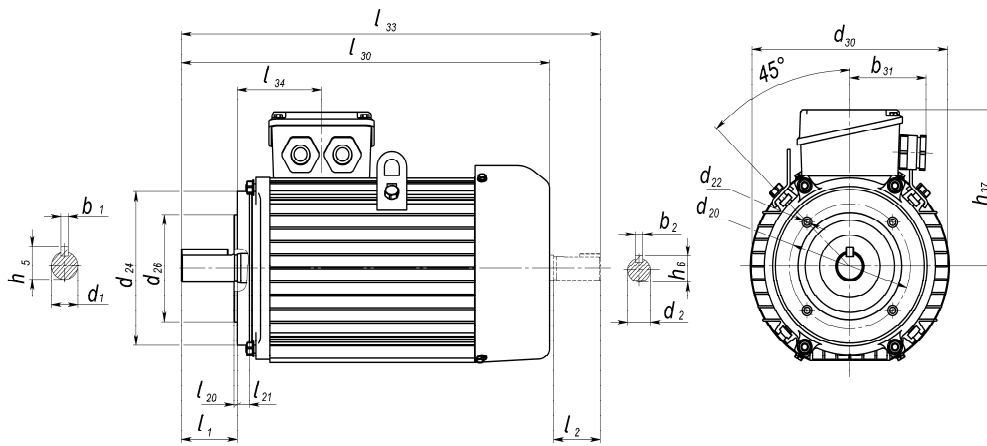


Габаритный чертеж IM 3601 / IM B14

Dimension drawing IM 3601 / IM B14



Привязка мощностей к установочно - присоединительным размерам по стандартам **DIN EN 50347**  
 Power depends on mounting and overall dimensions according to **DIN EN 50347**

Размеры в мм.  
 Dimensions in mm.

Тип	Число полюсов	Обозначение фланца		ГОСТ	$l_{30}$	$l_{33}$	$h_{37}$	$d_{30}$	$l_1$	$l_2$	$l_{20}$	$l_{21}$	$l_{34}$	$d_1$	$d_2$	$d_{20}$	$d_{22}$	$d_{24}$	$d_{26}$	$b_1$	$b_2$	$b_{31}$	$h_5$	$h_6$
Type	No. of poles	Flange number		DIN	k	$k_1$		g	l	$l_1$	$f_1$	$c_1$	q	d	$d_1$	$e_1$	$s_1$	a <sub>1</sub>	$b_1$	u	$u_1$	g <sup>1</sup>	t	$t_1$
		ГОСТ	DIN																					
RA71	2,4	FT85	C105	236	267	117	150	30	30	2.5	7	72	14	11	85	M6	105	70	5	4	75	16	12.5	
		FT115	C140							3.0	8				115	M8	140	95						
RA80	A2,4,B4 B2	FT100	C120	271	302	117	150	40	30	3.0	10	72	19	11	100	M6	120	80	6	4	75	21.5	1.5	
		FT130	C160	(291)	(322)					3.5	10				130	M8	160	110						
RA90S	2,4,6	FT115	C140	300	342	127	175	50	40	3.0	16	82	24	19	115	M8	140	95	8	6	75	27.0	21.5	
		FT130	C160							3.5	10				130		160	110						
RA90L	2,4,6	FT115	C140	320	362	127	175	50	40	3.0	16	82	24	19	115	M8	140	95	8	6	75	27.0	21.5	
		FT130	C160							3.5	10				130		160	110						
RA100L	2A4,6	FT130	C160	355	397	127	175	60	40	3.5	11	79	28	19	130	M8	160	110	8	6	75	31.0	21.5	
		FT165	C200							3.5					165	M10	200	130						
RA100L	B4	FT130	C160	378	420	127	175	60	40	3.5	11	79	28	19	130	M8	160	110	8	6	75	31.0	21.5	
		FT165	C200							3.5					165	M10	200	130						
RA112M	2,4,6	FT130	C160	420	473	165	218	60	50	3.5	15	91	28	24	130	M8	160	110	8	8	83	31.0	27.0	
		FT165	C200							3.5					165	M10	200	130						
RA132S	2,4,6	FT165	C200	505	570	178	255	80	60	3.5	15	91	38	28	165	M10	200	130	10	8	83	41.0	31.0	
RA132M	2	FT165	C200	505	570	178	255	80	60	3.5	15	91	38	28	165	M10	200	130	10	8	83	41.0	31.0	
RA132M	4,6	FT165	C200	545	610	178	255	80	60	3.5	15	91	38	28	165	M10	200	130	10	8	83	41.0	31.0	

Привязка мощностей к установочно - присоединительным размерам по **ГОСТ Р 51689**  
 Power depends on mounting and overall dimensions according to **GOST R 51689**

Размеры в мм.  
 Dimensions in mm.

Тип	Число полюсов	Обозначение фланца		ГОСТ	$l_{30}$	$l_{33}$	$h_{37}$	$d_{30}$	$l_1$	$l_2$	$l_{20}$	$l_{21}$	$l_{34}$	$d_1$	$d_2$	$d_{20}$	$d_{22}$	$d_{24}$	$d_{26}$	$b_1$	$b_2$	$b_{31}$	$h_5$	$h_6$
Type	No. of poles	Flange number		DIN	k	$k_1$		g	l	$l_1$	$f_1$	$c_1$	q	d	$d_1$	$e_1$	$s_1$	a <sub>1</sub>	$b_1$	u	$u_1$	g <sup>1</sup>	t	$t_1$
		ГОСТ	DIN																					
A71	A2,4,B4 B2	FT85	C105	270	302	117	150	40	30	2.5	7	72	19	11	85	M6	105	70	6	4	75	21.5	12.5	
		FT115	C140	(291)	(322)					3.0	8				115	M8	140	95						
A80A	2,4,6	FT100	C120	300	342	127	175	50	40	3.0	10	82	22	19	100	M6	120	80	6	6	75	24.5	21.5	
		FT130	C160							3.5	10				130	M8	160	110						
A80B	2,4,6	FT100	C120	320	362	127	175	50	40	3.0	10	82	22	19	100	M6	120	80	6	6	75	24.5	21.5	
		FT130	C160							3.5	10				130	M8	160	110						
A90L	2,4,6	FT115	C140	350	392	127	175	50	40	3.0	16	82	24	19	115	M8	140	95	8	6	75	27.0	21.5	
		FT130	C160							3.5	10				130		160	110						
A100S	2,4,6	FT130	C160	376	418	127	175	60	40	3.5	14	79	28	19	130	M8	160	110	8	6	75	31.0	21.5	
		FT165	C200							3.5					165	M10	200	130						
A100L	2,4,6	FT130	C160	420	473	185	218	60	50	3.5	14	91	28	24	130	M8	160	110	8	8	75	31.0	27.0	
		FT165	C200							3.5					165	M10	200	130						
A112M	A6	FT130	C160	440	493	185	218	80	50	3.5	15	91	32	24	130	M8	160	110	10	8	83	35.0	27.0	
		FT165	C200							3.5					165	M10	200	130						
A112M	2,4,B6	FT130	C160	475	528	185	218	80	50	3.5	15	91	32	24	130	M8	160	110	10	8	83	35.0	27.0	
		FT165	C200							3.5					165	M10	200	130						
A132S	2,4,6	FT130	C160	505	570	178	255	80	60	3.5	15	91	38	28	130	M8	160	110	10	8	83	41.0	31.0	
		FT150	C180							5.0	18				150	M12	180	120						
A132M	2	FT130	C160	505	570	178	255	80	60	3.5	15	91	38	28	130	M8	160	110	10	8	83	41.0	31.0	
		FT150	C180							5.0	18				150	M12	180	120						
A132M	4,6	FT130	C160	545	610	178	255	80	60	3.5	15	91	38	28	130	M8	160	110	10	8	83	41.0	31.0	
		FT150	C180							5.0	18				150	M12	180	120						